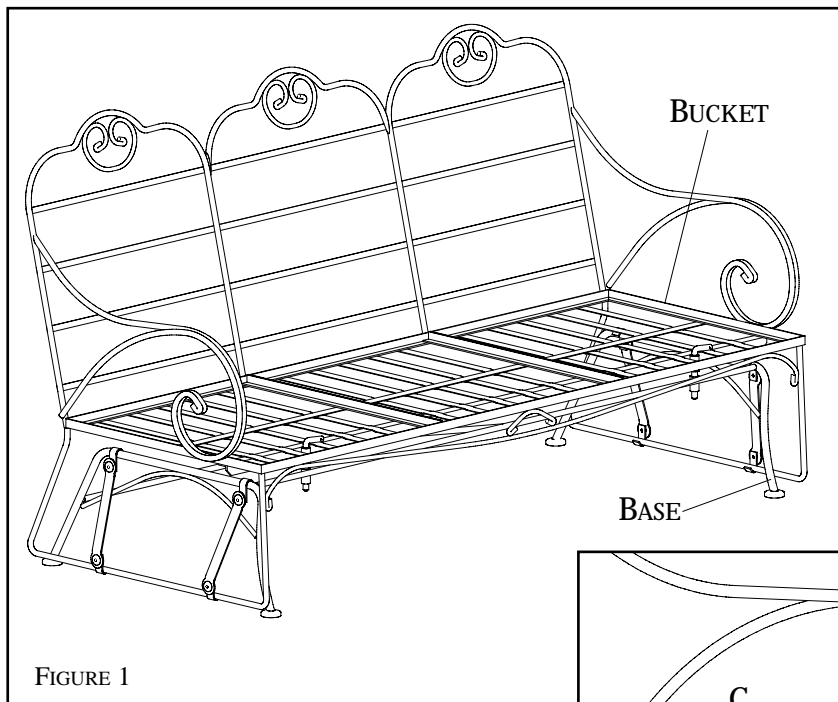


INSTRUCTIONS - 8339017 SOFA GLIDER



MATERIAL LIST

- A - Glider (assembled) (1)
- B - Plastic Bushings (4)
- C - Locking Pins (2)

NO TOOLS REQUIRED

FIGURE 1

1. Verify that you have received all parts in the Material List.

2. The glider (A) is ready to use with no assembly required. There is a locking option which converts the glider to a stationary sofa. The following steps will explain how to do this.

3. Install a plastic bushing (B) into the bottom of each of two fittings on the glider bucket. (Fig 2)

4. Install a plastic bushing (B) into the top of both fittings on the glider base. (Fig 2)

5. Move the glider bucket back and forth slowly until the fittings/bushings on both the bucket and the base are aligned together and insert a locking pin (C) into both sets. (Fig 3)

6. Replace the cushions. Your glider is now properly converted into sofa mode. To return to the glider function just pull out the pins. (The bushings can remain in place.)

Enjoy!

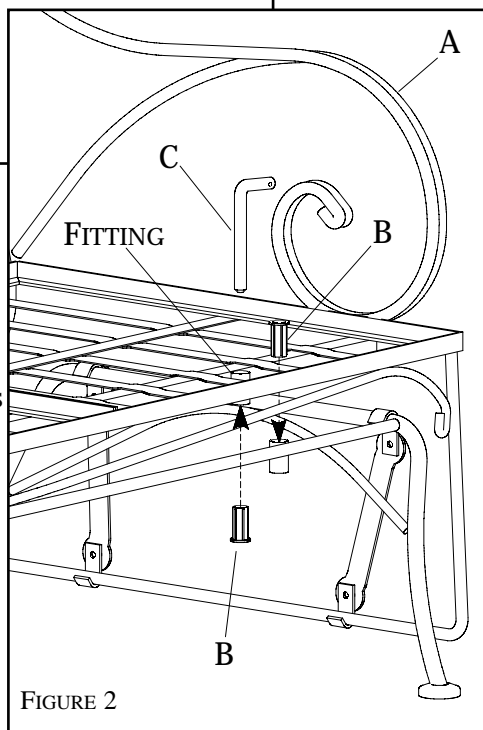


FIGURE 2

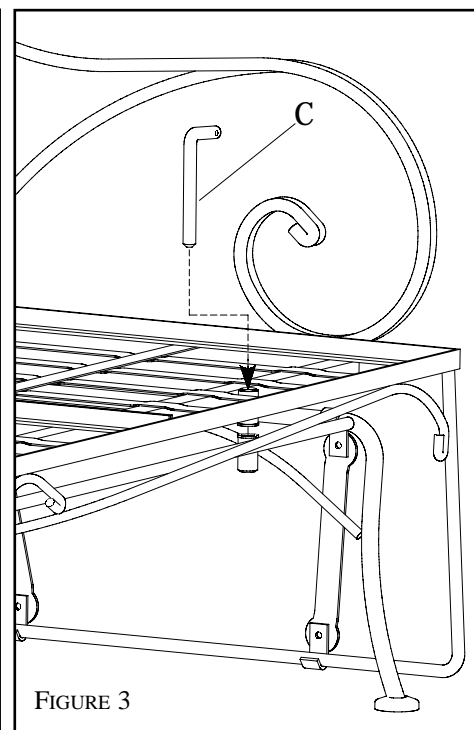


FIGURE 3

MEADOWCRAFT, INC.
P.O. BOX 1357
BIRMINGHAM, ALABAMA 35215

70001405
Rev. 9/2001